



VCalm®VMS-M

Mini VMS Traffic Calming Sign by Fortel Traffic, Inc

Fortel Traffic's VCalm®VMS-M is a powerful traffic calming Variable Message Sign (VMS) with a smaller design that makes it perfect for unique applications. VCalm®VMS-M is a summation of the most important features and technology that meet the evolving needs of the traffic industry.

BRIGHTEST DISPLAY:

VCalm® utilizes high-volume high-intensity tightly clustered LEDs to maintain the highest visibility possible. This proven method of authoritative message presentation demands driver's attention, making it the most efficient traffic calming sign on the market.

LOWEST POWER CONSUMPTION:

VCalm® uses proprietary PWMS™ LED technology that consumes 50% less power than common LED technology. Our programming delivers exceptional autonomy for solar/battery installations.

STRONGEST CONSTRUCTION:

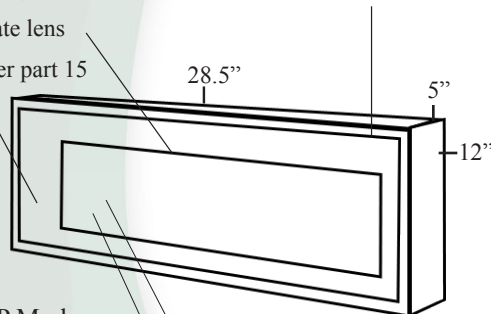
VCalm® maintains superior construction and durability with high quality components and no moving parts. The design meets the NEMA-3R specifications, and many of the VCalm® signs have withstood severe conditions, including hurricanes, fires, and extreme temperatures. VCalm® has consistently proven to be the longest lasting speed sign in the industry.

Heavy Duty (0.090) continuous formed aluminum enclosure

3/8" polycarbonate lens

Radar: Low power part 15

Weight: 39 lbs.



Characters: 4"(w) x 6"(h)

High-intensity Amber LEDs

Three Available Colors



Optional:

- Wireless IP Modem
- Wireless WIFI
- Wireless Alert System
- Ground-level Access
- GPS Clock
- Solar Package
- Automatic Dimming
- Strobe, Flashers, and Sirens



UNRIVALED VERSATILITY:

- Custom Messaging based on unique road conditions, activities, or events
- Multiple independently-scheduled vehicle speed thresholds can trigger any variation of messages and/or auxiliary devices: strobes, flashers, sirens, beacons, wireless alerts, etc.
- Instant Critical Messaging allows you to quickly display a high priority message from a remote location (requires IP modem).

SIMPLEST PROGRAMMING:

- SD Card provides practically limitless data storage space (40 years of data per gigabyte) and makes programming and data retrieval simple and affordable. (SDHC compatible)
- Modems, coupled with our automated online software, provide remote access to sign programming so changes can be made instantly.
- VSpeed™Online is the ultimate management software that gives the ability to program signs, simulate functionality, analyze data, and deploy configuration changes through remote access or SD cards.

EASY AND ACCURATE REPORTING:

- Traffic Data Acquisition System (TDAS) collects the fastest and slowest speed for each vehicle. The software uses this data to calculate the percentage of slowing vehicles and prove the device's effectiveness.
- Accurate raw data collected by VCalm® can be used to construct limitless report formats and parameters for thorough data analysis.



Solar Package for VCalm®

VCalm® Solar Package by Fortel Traffic, Inc

The VCalm® Solar Package makes the VCalm® unit completely autonomous. A Solar Package eliminates the need to assume the extra expense of an external power source, making this the most popular of the VCalm® options. In addition, VCalm® uses proprietary PWMS™ LED technology that consumes 50% less power than common LED technology. This ultra low power consumption enables the sign to run all day using only a single small solar panel.

Specifications (Standard Configuration):

- Batteries: (2) 79AH Batteries
- Weight: 53.6lbs
- Operating Temperature: -60C – 60C

Solar Panel: 85 Watt

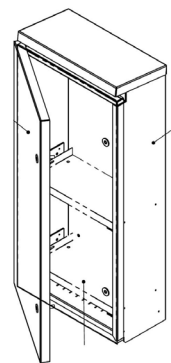
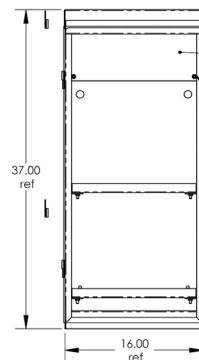
- Dimensions: 46.1" x 21.3"
- Weight: 17lbs
- Cells: 36
- Maximum Voltage: 17.5V
- Maximum Current: 4.9A
- Degradation: 10% (10 years) 20% (20 years)

Solar Controller

- Digital LCD Display
- Low power consumption (24mA)

Options:

- Batteries: (2) 105AH Batteries
- Solar Panel: 123 Watt
- Mounting options
 - Side of pole
 - Top of pole



VCalm® Optional Equipment by Fortel Traffic, Inc

The VCalm®'s optional equipment not only makes it the most versatile sign on the market, but also the most useful and effective. The following are popular options available for VCalm®.

WIRELESS IP MODEM

Automate data downloads and configuration changes wirelessly and eliminate the need to visit the sign physically using VSpeed™Online

- Connection speeds up to 2.4mbps



STROBES, FLASHERS AND SIRENS

Force speed reduction by simulating law enforcement flashers, sirens, or photo radar.



GROUND-LEVEL ACCESS

Adding a Drop-down Box allows for easy access to sign programming without the use of ladders, buckets, or platform trucks.

- 10 ft. of armored, weatherproof flex conduit
- Corrosion-proof, weather-tight Pelican lock box
- SD Card technology for quick and easy data transfer



GPS

Automatically adjusts date and time settings using GPS tracking of sign position. Also allows coordinates to be accessed using IP modem



AUTOMATIC DIMMING

Optimizes the VCalm®'s display visibility by adjusting LED brightness according to ambient light conditions with the photo diode upgrade. Ambient light conditions are also logged to allow accurate diagnosis of solar outages.



WIRELESS ALERT SYSTEM

A wireless alert system is ideal for improving the safety of various situations and has up to a 2-mile range (depending on antennae used).

- Alert construction workers of unsafe drivers entering the construction zone.
- Give advanced warning to vehicles when pedestrians are crossing a nearby crosswalk
- Warn children of unsafe drivers in school zones

WIRELESS WIFI

Connect wirelessly to the sign using a laptop's wifi connection from up to 30 feet away.

- DHCP network data connection
- WPA security ready



